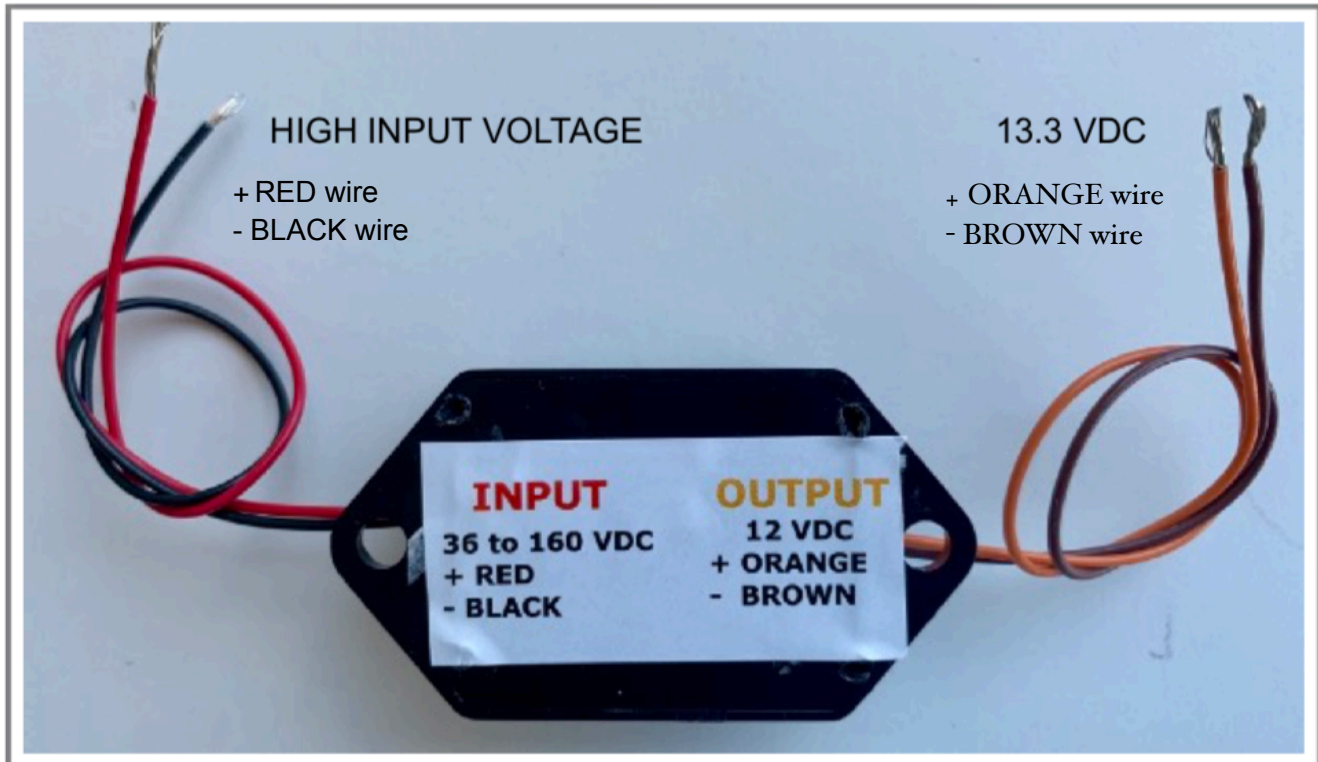


SkidWeigh High Voltage Converter VC160-Series



The VC160 series DC/DC converter is designed for material handling vehicles with an extra wide continuous input voltage range of 36-160 VDC, making it suitable for 48 to 120 V DC vehicles electrical systems. The high efficiency permits an ambient temperature range from -40 C to +85 C without derating, forced cooling or the need for heatsinks.

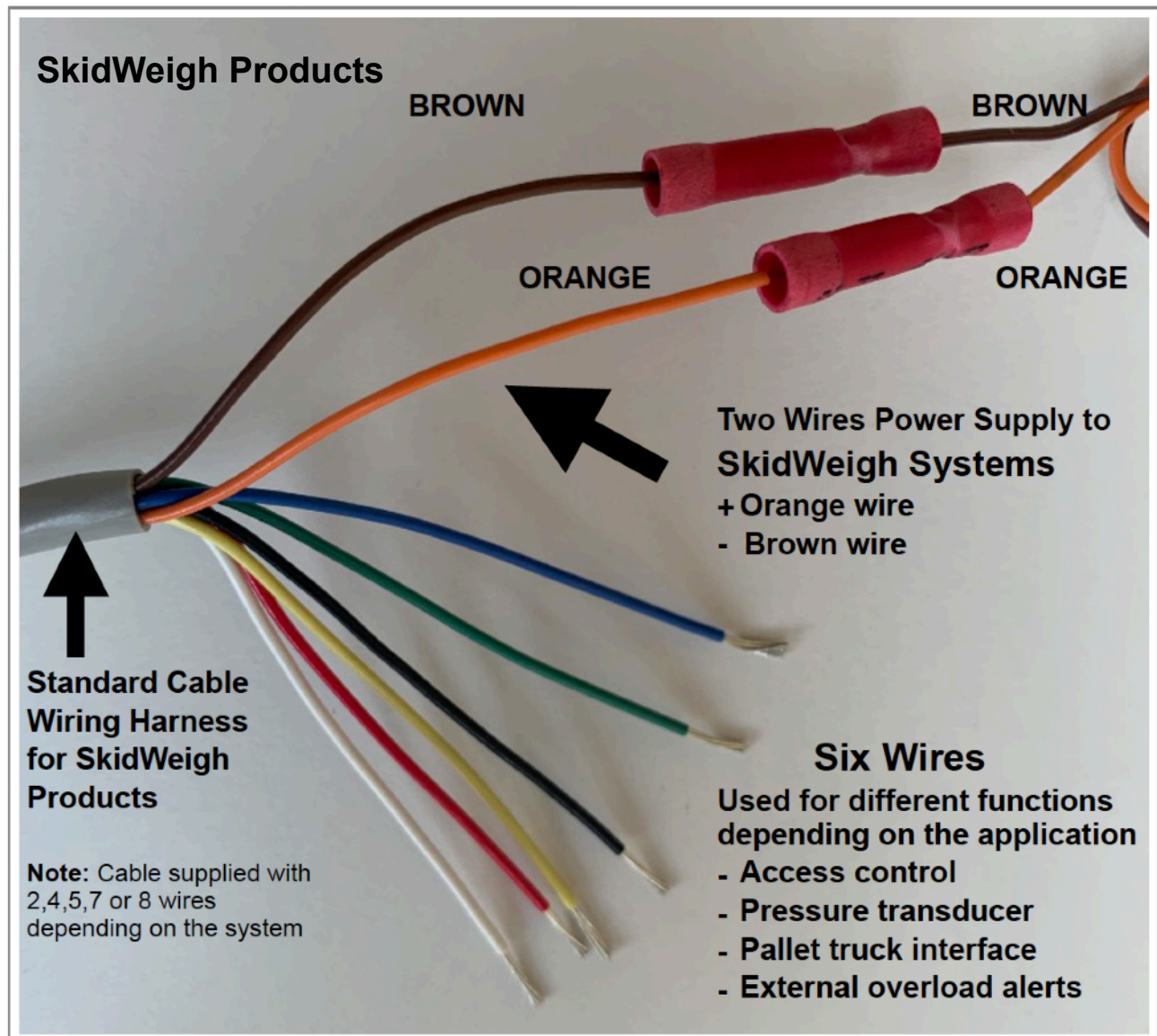
The VC160 DC/DC series converter features over voltage protection, short circuit protection and overload protection.

- Input voltage range 36 -160 VDC
- Output voltage 13.3 VDC
- Output Current 1000 mA
- Power 12W
- Efficiency 89%
- EN50155 certified, EN45545-2 compliant, CE marked
- Warranty 3 years

Application

The VC160 regulated converter is used lift truck accessories (Maximum 1A load current) and with all SkidWeigh products installed on material handling vehicles having operating voltage range from 48 to 120 VDC.

Note: *SkidWeigh products are designed to operate from 12 to 55 VDC.*



Converter Wiring Input Voltage is from 36 to 160 VDC

- + **RED** Wire from 48 to 160 VDC
- **BLACK** wire, vehicle battery negative

Converter Wiring Output Voltage is 13.3 V DC (Maximum load current is 1A)

- + **ORANGE** Wire, for forklift accessory or in case of SkidWeigh to Orange wire of the main harness
- **BROWN** wire, accessories battery negative or in case of SkidWeigh products to Brown wire of the main harness

